

ABACUS

BlueEdition

Pay Cash&Card

Automatic Pay Station for all parking payment processes with sophisticated and compact design. Cutting-edge operation provides a smooth payment process.

- TFT colour display (10.4") with touch buttons
- Energy-saving illuminated LED frame (option) - Special customized illumination colour
- Barrier-free accessible controls
- Intuitive user interface
- Processing tickets and cards with barcode or magnetic strip technology
- Payment of short term parker tickets incl. discount processing
- Renewal and additional payment of season parker cards
- Topping up and additional payment of value cards
- Coin processing, country and client-specific
- Banknote processing (optional), country and client-specific
- Banknote recycler
- Receipt printer for issuing receipts using thermal printing technology
- Weather- and UV-resistant Plexiglas® front panel
- Integral intercom device



Figure with options

Ticket technologies
Barcode

- Barcode card reader for processing ABACUS barcode tickets, with thermal printer for printing barcodes and car park data, payment time¹ and ticket number onto coated paper tickets

Magnetic strip

- Magnetic card reader for processing ABACUS side and/or central strip tickets, with printer for printing car park data, payment time and ticket number on inexpensive uncoated paper tickets

Basic equipment

- TFT colour display (10.4") with integrated touch buttons for graphical operating guidance
- Barrier-free position of control elements
- Terminal Control Computer with LINUX® operating system and passive cooling
- Receipt printer for issuing receipts using thermal printing technology
- Coin insertion slot with electronically controlled closure

- Coin processing, country and client-specific:
 - Acceptance of up to 12 different coins
 - Change disbursement of four different coin values from self-refilling coin holders, each for up to 500 coins/value
 - Lockable, prevents unauthorised removal of the secured coin cassette for approx. 2,000 coins
- Intercom device
- Ethernet connection

Options

- Multi-language function for displaying information in up to four languages
- Barcode reader² / Magnet card reader³ for processing of tickets in all four directions in order to minimize operating errors
- EMV or PCI PTS certified credit card reader
- Preparation for PinPAD & NFC reader
- Illuminated LED frame
- Discount processing
- Value/Time cheque processing

¹ with MC120 Barcode

² with MC Barcode

³ Magnetic strip technology

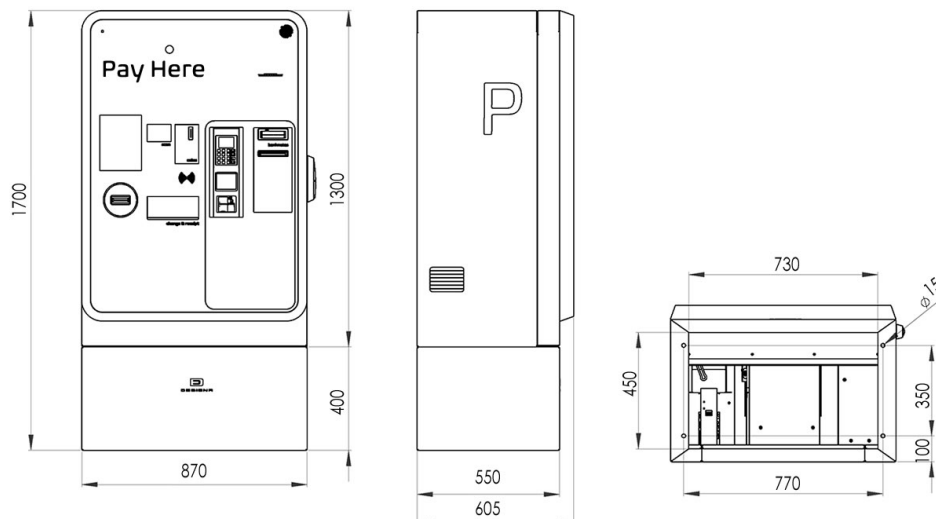


Figure with options; Dimensions in mm

Further options

- Banknote reader for four-layer processing of up to 15 banknotes per payment process, banknote cassettes with a capacity for up to 1,000 banknotes
- Banknote software escrow: "Multi-note" mode for banknote reader without banknote hardware escrow, advance payment credit on the short term parker ticket
- Banknote recycler with secure loader function. Acceptance of up to 15 banknotes of 8 denominations in four-layers per payment. Issuing of up to 15 banknotes of up to four denominations per payment. Banknote safe with a capacity for up to 600 banknotes
- Banknote recycler for four-layers acceptance of up to 20 banknotes of up to 16 denominations per payment. Issuing of up to 20 banknotes of up to three denominations. Banknote safe with a capacity for up to 1,000 banknotes
- Issuing of "lost tickets"

- Hands-free smart card system (RFID) such as EasyMove, Mifare, Legic, ISO 15693 as well as other short and medium range RFID systems for the identification of hands-free season parker cards and value cards during renewal, additional payment or topping up
- VoIP: SIP compatible intercom device
- Various intercom devices
- QR code camera
- Camera to ensure network-based video surveillance
- Preparation hearing induction loop
- I/O board with 12 digital inputs and outputs
- Thermostatically regulated heater
- Thermostatically controlled fan
- Socket
- Uninterruptible power supply
- Special customized cabinet colour
- Mounting kit

Design

- Casing, door and pedestal made of stainless steel 1.4301 (V2A), outer and inner surface with durable, weather-resistant powder coating
- Illuminated frame made of aluminium, weather-resistant powder coating
- Front panel made of Plexiglas®

- Casing, door and pedestal: RAL 9016 (traffic white)
- Front panel, illuminated frame and cover: RAL 9017 (traffic black)

Technical data

- Power supply: 230 V AC, 50 Hz
- Current consumption: operation 0.35 A, max. 1 A heater: 1.7 A
- Power consumption: operation 80 W, max. 240 W heater: 400 W
- Network system: TN-S system
- Pre-fuse: max. 16 A
- Terminal cross-section: max. 2.5mm²
- Connection type: tension spring connection
- Protection class: I
- Control voltage: 24 V DC
- Rating: IP 54
- Surge arrester
- Residual current device (RCD)
- Laser class barcode scanner (Multicon): Class 2
- Temperature: operation: +10°C to +50°C with heater: -20°C to +50°C storage: -25°C to +70°C)
- Weight: approx. 220 kg, depending on equipment
- Dimensions: see figure

contact

DESIGNA
Verkehrslleittechnik GmbH
Faluner Weg 3
24109 Kiel/Germany

Tel. +49 431 5336-0
Fax +49 431 5336-260
info@designa.com
www.designa.com